

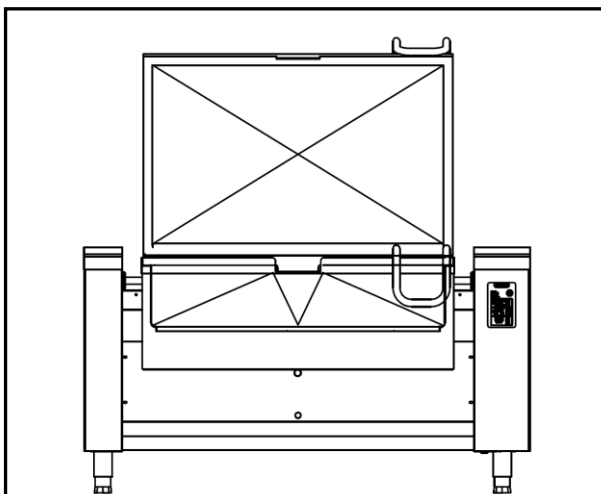


Total Food-Service Solutions

Modular Cooking – Grandis 900

Electric Tilting Pan

NETP 3GN GR



*Due to routine technical improvement, the photograph shown may not represent the latest design of the products.

AVAILABLE MODEL

1. NETP 3GN GR

DESCRIPTION

Electric Tilting Pan with 20.4 kW power rate. Operation temperature maintained by thermostat with maximum working temperature of 300°C, Featuring removable clip joint to connect Grandis family product.

ITEM# : _____

MODEL# : _____

NAME : _____

SN : _____

MAIN FEATURE

- Maximum working temperature of 300°C
- Capacity of 105 Liters.
- Manual Tilting Operation.
- 20 mm Thick Braising Pan SS420.
- Service maintenance can be done from the front.
- Touch screen control panel

CONSTRUCTION

- All exterior panels in 304 type of Stainless Steel
- Orbital top panel anti-scratch finishing.
- Top and side are mounted by 2.0 mm of Stainless Steel.
- Adjustable ± 25 mm Stainless Steel leg.
- Certified IPX4 protection.

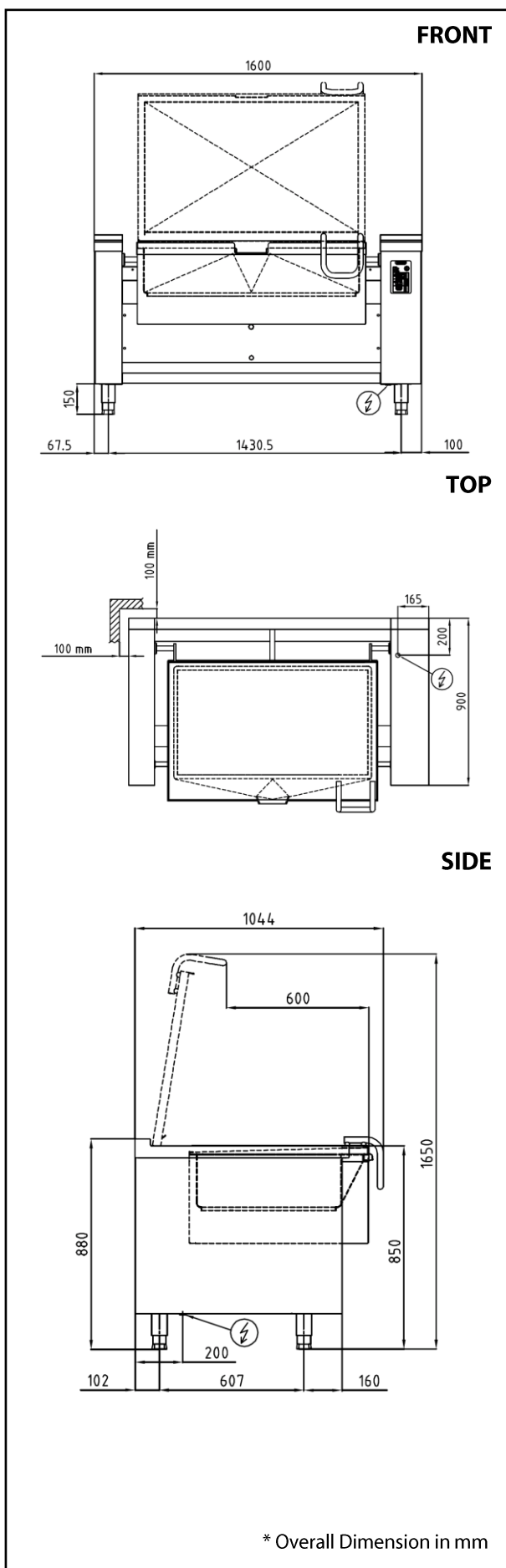
INCLUDED ACCESSORIES

- N/A

OPTIONAL ACCESSORIES

- Clip plate for joining





ELECTRIC

Electrical rating (kW)	:	20.4
Element rating (kW)	:	20.4
Electrical supply voltage	:	400V 3N
Required electrical supply (amps):		31
Electrical current split (amps) :		L1 : 31
		L2 : 31
		L3 : 31

KEY INFORMATION

Cooking surface width	:	1050 mm
Cooking surface depth	:	600 mm
Direct heat emission	:	9.18 kW
Latent heat emission	:	8.16 kW
Steam emission	:	11.99 kg / h
Min. working temperature	:	50°C
Max. working temperature	:	300°C
Capacity of Tilting Pan	:	105 Liters
Water capacity	:	2-4 bar (optional)
Net weight	:	347 Kg
Shipping height	:	1260 mm
Shipping width	:	1650 mm
Shipping depth	:	1080 mm
Shipping volume	:	2.245 m ³